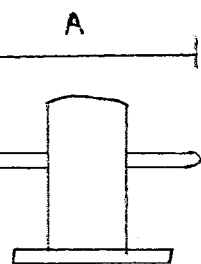
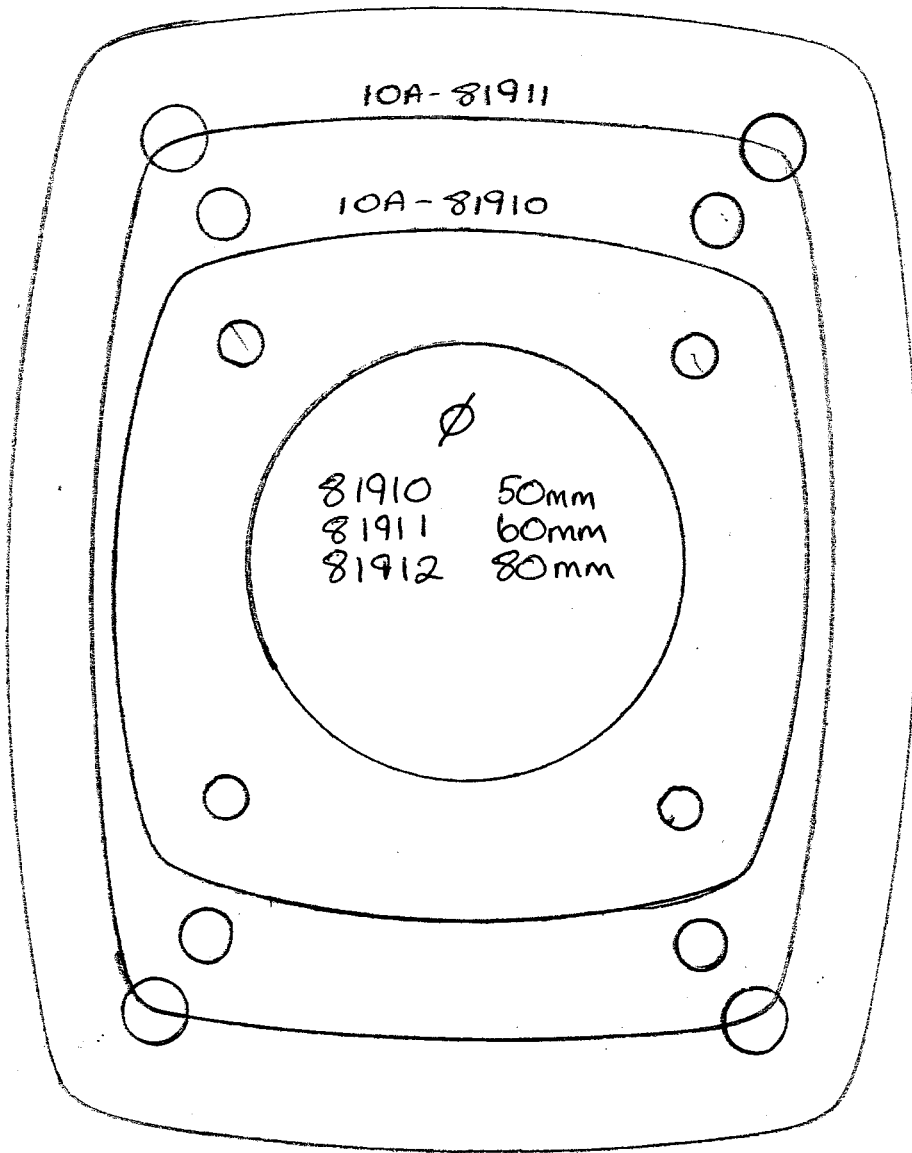


10A-81912



B

C

D

	A	B∅	C TO BAR CENTRE	D
81910	133mm	10mm	52mm	105mm
81911	160	13	71	120
81912	203	18	97	170